

## MOUNTING ADAPTER KITS & PARTS

### Mounting Kits



#### KIT200

Holes for 4.4" and 5.6" Dia. Motors  
One kit will adapt both ends of motor for base mounting



#### KIT199

Motor length adapter kit. Provides means to base mount Fasco 5" dia. motors  
Two kits needed to adapt both ends of motor for base mounting



#### KIT380

Rheem mounting adapter plate  
Packaged one per kit



#### KIT214

Special End Plate for 3.3" Diameter D401 motor. For Mounting To Comfort Air Units  
Packaged one per kit



#### KIT218

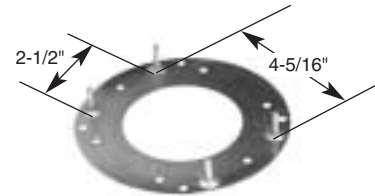
Aluminum stand-off bracket for motor-blower mounting. Matches 3.3" mounting pattern.  
Kit 214 required to mount to motor.  
Packaged one per kit



#### KIT204

J-frame casebolt adapter  
Packaged one per kit

### Adapter Plates



#### KIT207

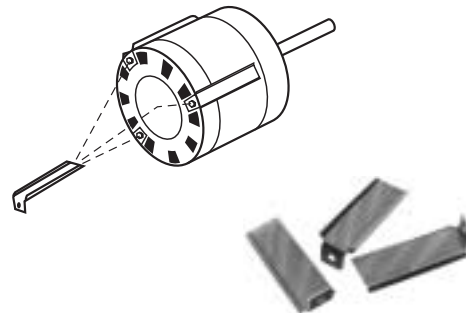
Provides rectangular mounting stud pattern on 5.0" or 5.6" diameter Fasco Motors to match Fedders stud motors. Similar to Emerson and RMR rectangular mounting stud patterns  
Packaged one per kit



#### KIT205

Franklin Redmond 4 1/8" diameter mounting adapter plate  
Packaged one per kit

### Adapter Kits



#### KIT538

Mounting Adapter. Enables 5" motors to replace 5-3/8" (RmR) motors. Three adapters included in kit. Adapters increase the mounting diameter by 3/8" for belly band mounting.

## MOUNTING ADAPTER KITS & PARTS

### Rheem Mounting Cables



P/N	Length	Motor H.P.
KIT325	3/4"	1/6
KIT350	3/2"	1/4
KIT378	3/8"	1/3

Special mounting cables for Rheem. Four per pkg.



#### H33

Special Mounting Kit for 3.3" Diameter to Replace Motors in Nu-tone Units. Includes 4 Nuts and 2 Hex Hub Brackets. Use Kit 187 mounting rings



#### KIT414

Adjustable casebolt mounting kit. 4 bolt adapters per kit

### Coleman "Lord" Mount

#### MNT1518

Stud: 1/4" x 8-32  
Hole: 1/4" x 8-32  
Bushing: 1/2" x 1/2"  
Shipped individually



#### KIT208

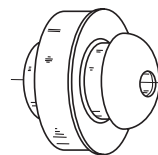
Studs: 3/8" x 8-32 x 3/8"  
Bushing: 1/2" x 1/2"  
4 per kit



### Mounting Grommets

#### GROM6008

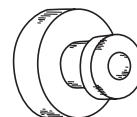
For 3/4" Slot  
Shipped individually



Includes a Steel Sleeve

#### GROM6000

For 1/2" Slot  
Shipped individually



## RUBBER MOUNTING RINGS

### For 5.6", 5.0" and 4.4" Dia. Motors

#### KIT184

Henrite 2.50  
Packaged two per kit



#### KIT183

Henrite 2.25 O.D.  
Packaged two per kit



#### KIT186

All Rubber 2.50 O.D.  
Packaged two per kit



### For 3.3" Dia. Motors

#### KIT180

Henrite 1.80 O.D.  
Packaged two per kit



#### KIT187

Rubber mounting rings; use with H33 in Nutone and Broan applications  
Packaged two per kit



Henrite are rubber mounting rings with steel band, used with cradle bases and knife edge motor supports  
All Rubber rings are used with direct drive blower motors and "Clamp" type supports