

**Coming Soon:
New High Efficiency and
NU Series Motors from
ELCO Motors**

Stay tuned to your *Fasco Rewards Distributor Newsletter* for news about great new motors from ELCO: Aftermarket High Efficient ECM-IP Series Motors and Shaded Pole NU Series Motors.

The new Aftermarket High Efficient ECM-IP Series Type A and Type B Motors will help you meet ever increasing demand for front mount commercial refrigeration high efficiency fan motors. And the NU Series Aftermarket Shaded Pole Motors are some of ELCO Motors' most popular products.

Be sure to check future issues of the *Fasco* newsletter this summer for more details! Or you may also contact your *Fasco* Sales Representative or our Customer Service Department at 1-800-325-8313 for further information as well.



New ELCO Motors products are coming this summer, like the After Market Shaded Pole NU Series Motors.

New Product News

Fasco Introduces Another Incredibly Efficient ECM Motor – the ARKTIC™ 142

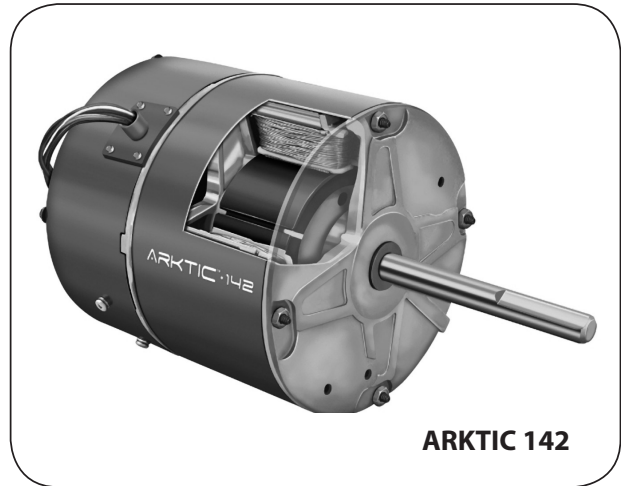
Fasco is proud to introduce another new high-efficiency motor from Morrill Motors – the ARKTIC 142.

Like the ARKTIC 59 and ARKTIC SSC² ECM motors we introduced you to in the March newsletter, the new ARKTIC 142 is designed to primarily be used in commercial

refrigeration walk-in cooler, freezer and evaporator fan applications. But this new ECM motor may also be used in many other applications that demand high-efficiency and dependability, with output ratings of 1/3 and 1/5 HP, including parallel rack fan motors.

In fact, the new ARKTIC 142 is one of the most efficient single-phase ECM motors available. It significantly outperforms PSC technology, with efficiencies 30% higher than PSC motors.

For more information on the new ARKTIC 142 ECM motor, see page 133 of *Fasco* Catalog #45. Or contact your *Fasco* Sales Representative or our Customer Service Department at 1-800-325-8313.



ARKTIC 142

ARKTIC™ 142 Technical Specifications

Part No.	HP	SPEEDS	RPM	VOLTS	ROTATION
5R002	1/5	1	1075	115	CW
5R004	1/5	1	1075	230	CW
5R005	1/3	1	1075	115	CCW
5R007	1/3	1	1075	230	CCW

Congratulations to the Latest Gift Card Recipients in the New Fasco Rewards Program

Congratulations to the following Fasco Rewards Program participants who will receive \$100, \$75 or \$50 gift cards from our March Test drawing! Take the Fasco Rewards Test this month, and your name may be listed in the next issue!

- Kirk Bell
- Carol Biggs
- Steve Bliss
- Tom DeGroot
- Dick Geiken
- Jeff Goode
- Butch Margeson
- John McClellan
- James B. McGrew
- Karen Melvin
- Brian O'Halloran
- Ron Price
- Jim Schroeder
- Richard Smith
- Stan Vasko
- Daniel Williams
- Lenny Wrubleski
- Tom Yeiter
- Ron Zaker

PLEASE NOTE:

All gift cards need to be used within 12 months.

Answers to March 2011 Fasco Rewards Test

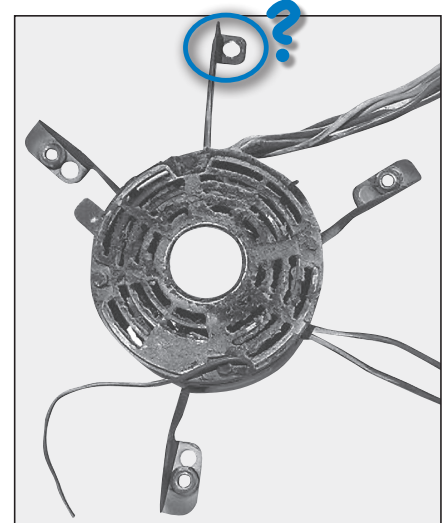
1. D – All of the above
2. B – False
3. A – Higher
4. B – G
5. D – D156
6. A – \$112
7. A – True
8. A – A159
9. C – Condensation drainage/re-oiling
10. D – All of the above

The Mystery Bracket...

Working at a Fasco distributor, you probably see some pretty odd things from time to time. But even we were surprised to see this picture, taken of a motor that needed replacing from a residential air conditioning unit. The problem frustrating the serviceman who brought it in, however, was not about the motor itself – but finding a replacement for the “extra” mounting bracket shown at the top of the photo.

But if you look closely at the photo, you'll notice that the “extra” bracket is somewhat different than the other three mounting brackets. That's because the “extra” bracket isn't a mounting bracket at all! It's a shipping bracket, used to help stabilize the motor in its carton during shipment from the manufacturer – which should be detached before installation!

So if you ever get asked to supply a replacement “extra” bracket like this, just refer your customer to our line of Fas Mount Bracket Kits and Band Mounting Kits! For more information, see page 105 of your Fasco Catalog #45, contact your Fasco Sales Representative, or call our Customer Service Department at 1-800-325-8313.

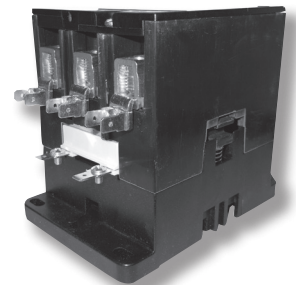


INDUSTRY APPROVED!

Reminder: Fasco Contactors Meet the ARI 780/790 Standard

Don't forget that our wide range of contactors are designed to meet or exceed industry performance standards. The Air-Conditioning and Refrigeration Institute (ARI) is an industry trade organization that establishes minimum standards for contactor performance with its standard 780/790. This standard requires extensive performance testing, including all of the following criteria:

- Mechanical Life - 500,000 cycles
- Recycle Load Test - make and break locked-rotor current for 10,000 cycles
- Pick-Up and Drop-Out - tested at 150°F
- Coil Temperature Test - elevated ambient and input voltage
- Endurance Load Test - make locked-rotor current and break 125% full load current for 200,000 cycles
- Part Winding (optional) - make full load current and break locked-rotor current for 30,000 cycles
- Environmental Test - temperature and humidity cycling



 Printed on recycled paper.