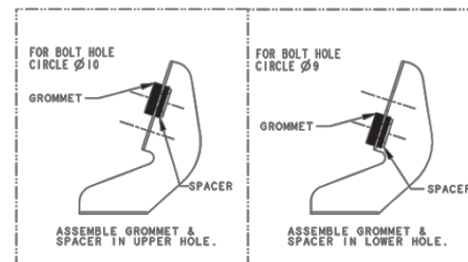
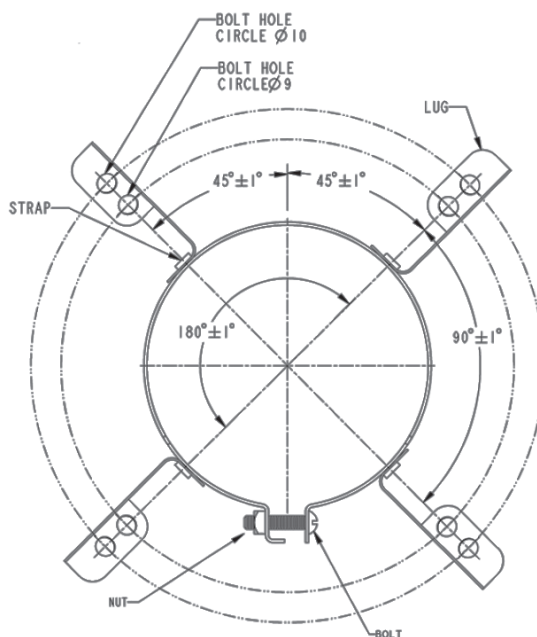


4 Wing Flexible Mount Bracket - FM554

Application: Residential HVAC, Direct Drive Blowers

Configuration: Designed for use in applications with 9" or 10" bolt circle diameters, mounting legs are evenly spaced at 90° angles

Kit Includes: (1) 4 wing flex mounting bracket, mounting hardware kit and installation instructions sheet



In Stock Call Today!

For more information on our replacement Draft Inducer motors, as well as our complete line of quality products — or for answers to your technical questions — contact your FASCO representative, visit our website or call the toll-free number provided below.

FASCO

1401 East North Street
Eldon, MO 65026
1-800-325-8313
Fax 1-800-352-7207
www.fasco.com